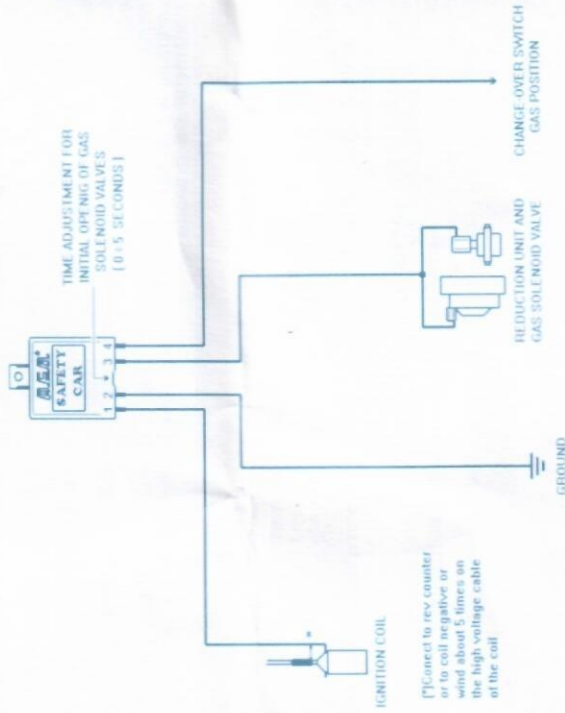




A.E.B. srl Via dell'Industria 20
42025 CAVRIAGO (RE) ITALY
Offices Tel. 0039 - 522 - 941487
Fax. 0039 - 522 - 941464

Fitting Instructions

SAFETY CAR adjustable
Code AEB 551



A.E.B. srl could modify in every moment this workbook for updating it with any variation or technological, qualitative and informative improvement.

ISS51-0 REV.081105-0

English

4 - 12

Technical Specifications

SAFETY DEVICE

The safety car, enables the GAS solenoid valves only with the engine running. This means that if the engine was accidentally stopped, the GAS supply would automatically be cut off.

General Direction



We advise you to fix the Safety Car in a vertical position, away from possible water infiltrations and excessive heat sources (for example: exhaust manifolds), so as to avoid to irreparably damage the Emulator.

To avoid bad workings of the Safety Car we advise you to pass the wires away from the high tension wire;

- make good connections. Please, pay attention that the best connection you can do is a duly insulated welding.

Do not absolutely open the Safety Car box, especially when the engine is running or the board panel is inserted. A.E.B. srl declines every responsibilities for damages caused to things or person which derive from the tampering of its own device provoked by unauthorized persons.

5 - 12

English

ISS51-0 REV.081105-0

Warranty Certificate

Dear Customer,
Thank you for the trust you have shown in **A.E.B.** by purchasing this product. **A.E.B.** puts all its products through severe quality tests; in spite of these checks the product malfunctions, please call the installer immediately for the necessary checks or work.

- General rules of warranty

A.E.B. guarantees the good operation of this product and its immunity from manufacturing defects and flaws.

If during the warranty period the product should turn out to be defective, **A.E.B.** will take upon itself the necessary repairs or replacements, entrusting the work preferably to the original installer, otherwise a person designated by common agreement.

Replacements of defective parts shall be made ex works **A.E.B.** with freight to be paid by the consignee. For the accessories or components not of **A.E.B.** manufacture, only the warranties acknowledged by the third-party manufacturers' hold.

This warranty is the only one given by **A.E.B.**, all others therefore being excluded. No liability, except in the case of fraud or grave offence, may be charged to **A.E.B.** for damage or injury to anything or any underwriting from the product malfunctioning.

This warranty is only operative for those who are up-to-date with their payments.

- Terms

Warranty shall be acknowledged for a period of **24 months from the date printed on the product** with indelible paint.

Warranty shall only hold if at the time of purchase the product is well conserved and integral in its packing and packaging prepared by **A.E.B.** which are the only ones assuring its origin and adequate protection.

- Exclusions from warranty

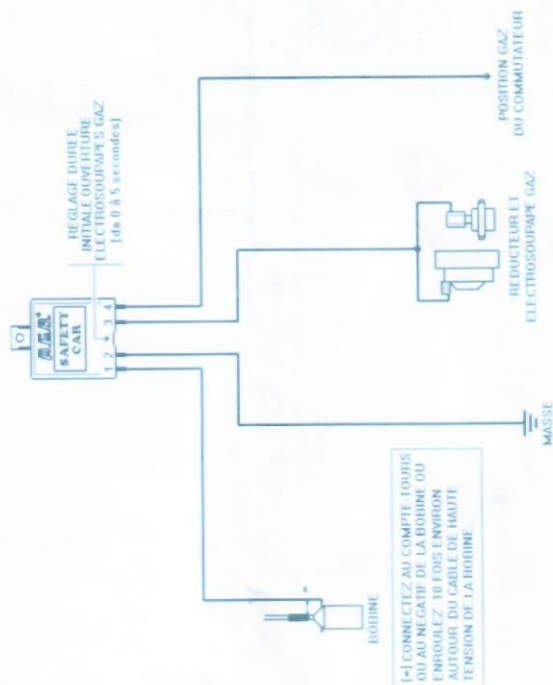
This warranty does not cover:

- Periodical checks, maintenance, repairs or replacement of parts due to normal deterioration.
- Malfunctioning due to negligence, bad installation, improper use or use that is not in conformity with the technical instructions provided and in general any malfunctioning that cannot be traced to manufacturing defects and flaws in the product and therefore to the responsibility of **A.E.B.**
- Products modified, repaired, replaced, fitted and anyhow tampered with by anyone without prior written authorization from **A.E.B.**
- Accidents originating in causes of force majeure or other causes (eg. water, fire, lightning, bad ventilation, etc.) beyond the control of **A.E.B.**

No one may resell or install products with manufacturing defects or flaws that are identifiable with normal conscientiousness.
The competent Court for any disputes regarding the interpretation and execution of this warranty is solely the Court of Reggio Emilia.

Manuel de mode d' Emploi

SAFETY CAR enregistrable Code AEB 551



A.E.B. srl se réserve le droit de modifier dans n'importe quel moment ce manuel pour le mettre à jour du point de vue technologique, qualitatif et informatif.